

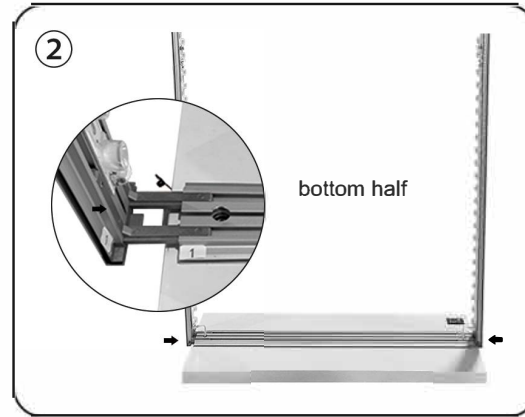


Battery Light Box Assembly Instructions

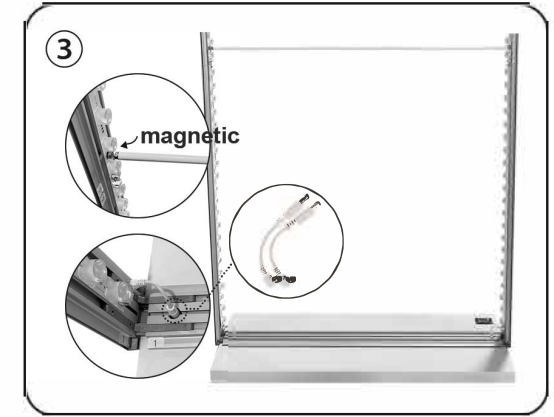
SKUs: OPLEDBOXDS, OPLEDBOXDSCP



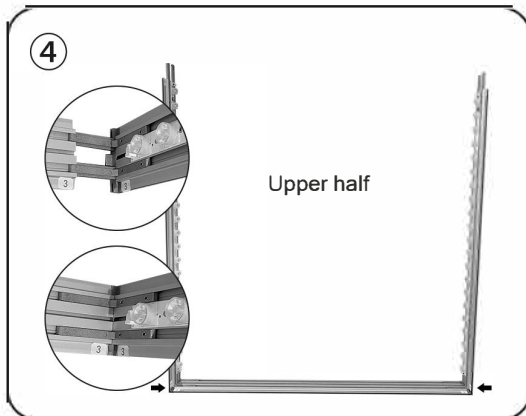
1. Take out the base from package and place on flat ground.



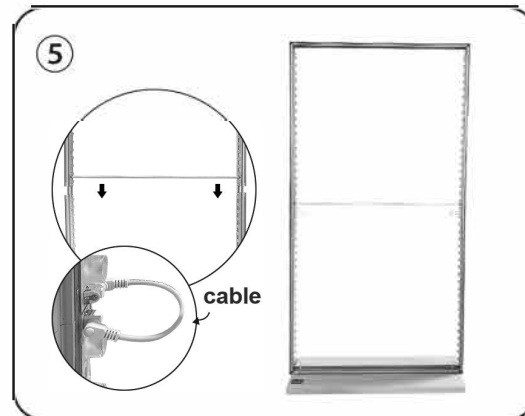
2. Match the numbered labels and click bottom of frame to the base.



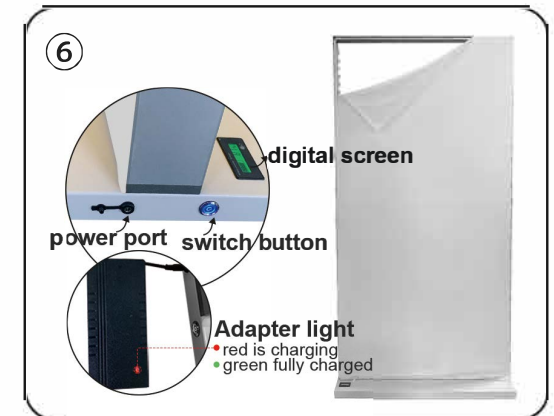
3. Connect the wire at the bottom and connect the middle support pole, which is magnetized.



4. Match the numbered labels to assemble the top of the frame.



5. Connect the upper half to the bottom of the frame, and connect the wire, as shown.



6. Attach graphic to frame. Click the button to light up.

NOTE: When the battery is plugged in to the charger, the display may show percentage rising rapidly; then, when unplugged, the percentage will drop to the real value. This is normal with this type of battery. The battery is full when the red light on the charger turns green.